



# 7253 Centre Hung Pivot Set

Door controls



The Ives 7253 Centre Hung Pivot Set is constructed of heavy duty steel construction, with easy installation by tilting on bearing and bearing pin. The 7253 has been designed to be used in conjunction with the LCN 6030 Series of double acting door closers or used as pivots for non-controlled doors. The 7253 pivot set has a maximum load of 136kg.

## Features

- Easy installation tilt on bearing and bearing pin
- Door thickness - minimum 44mm
- Vertical adjustment based on mortice preparation in bottom rail on the door

Warranties	
Mechanical	10 years
Finish	<a href="http://allegion.co.nz/finisheswarranty">allegion.co.nz/finisheswarranty</a>

# Specification guide

<b>Model</b>	<b>Finish</b>
Pivot set .....7253	Aluminium ..... ALUM

1. **Model**  
Select the desired function e.g. Pivot set ..... 7253
2. **Finish**  
Select the desired finish e.g. Aluminium ..... 7253ALUM

## Finish



### ALUM

Aluminium

### Specifications

<b>Door type</b>	Timber or metal
<b>Door thickness</b>	44mm minimum
<b>Material</b>	Steel
<b>Supplied as</b>	Trade pack with screws

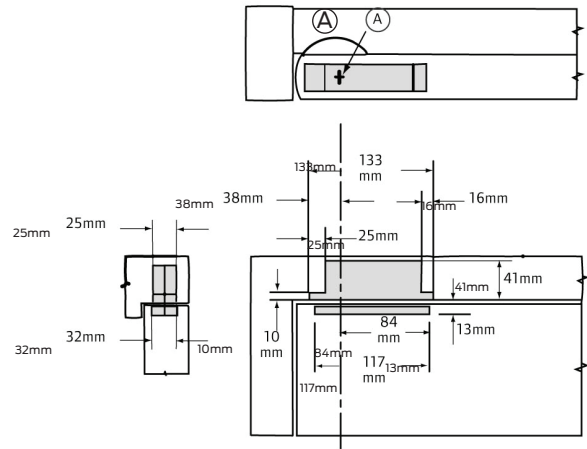
## Mounting details

### Concealed mounting

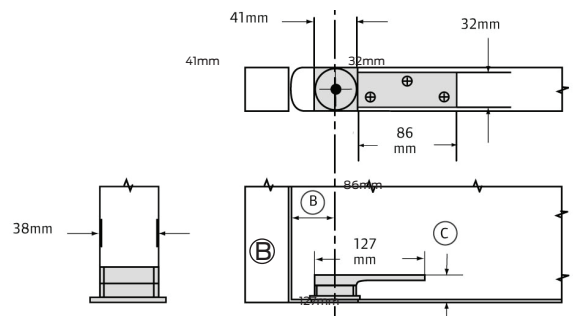
The bottom pivot is attached to the floor and the top pivot is anchored to the head frame. A minimum door thickness of 44mm is required. Radius stop (A) to clear heel edge of door. Pivot distance (B) 44mm minimum from jamb to centre line of pivot pin. Radius heel edge of door, 41mm recommended.

Clearance from bottom edge of door to the floor mounting surface is adjustable from 5mm to 19mm by varying the depth of the mortice (C) in the bottom rail of the door.

Clearance (C)	Depth of mortice
5mm	30mm
10mm	25mm
13mm	22mm
16mm	19mm
19mm	16mm



**Top Pivot**



**Bottom Pivot**